

Rýchloposuvové frézy

20ks doštičiek + teleso

cena **179,-** EUR



ocel - LNMU0303ZER-DZ-8225

nerex - LNMU0303ZER-DZ-15TF

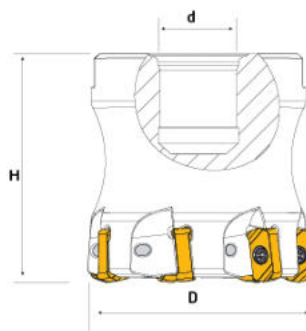
LNMU 0303



Dimensions(mm) Abmessungen (mm)			LNMU 0303
L	S	A	
11.8	4.1	6	

Order Code Best.-Nr.	Stok/Stock/Lager	Product Code Produkt-Code	Dimensions(mm) Abmessungen (mm)					Insert WSP	Clamp Screw Torx-Schraube	Torx Key Torx-Schlüssel	
			D	Z	L	d	L1				
S671	●	D16 d16 Z02 L150 LNMU 03	16	2	150	16	50	0,233	LNMU 0303	TC063 M2,5x7	T8
S672	●	D17 d16 Z02 L150 LNMU 03	17	2	150	16	40	0,241			
S673	●	D20 d20 Z03 L150 LNMU 03	20	3	150	20	50	0,381			
S674	●	D21 d20 Z03 L150 LNMU 03	21	3	150	20	50	0,389			
S675	●	D25 d25 Z04 L150 LNMU 03	25	4	150	25	60	0,589			

LNMU 0303



Dimensions(mm) Abmessungen (mm)			LNMU 0303
L	S	A	
11.8	4.1	6	

Order Code Best.-Nr.	Stok/Stock/Lager	Product Code Produkt-Code	Dimensions(mm) Abmessungen (mm)					Insert WSP	Clamp Screw Torx-Schraube	Torx Key Torx-Schlüssel
			D	d	Z	H				
T728	●	D040 d16 Z06 LNMU 03	40	16	6	40	0,275	LNMU 0303	TC063 M2,5x7	T8
T729	●	D050 d22 Z07 LNMU 03	50	22	7	50	0,541			
T730	●	D063 d22 Z09 LNMU 03	63	22	9	50	0,766			